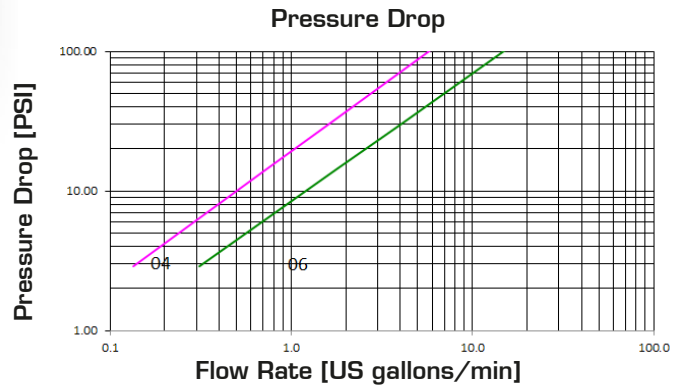
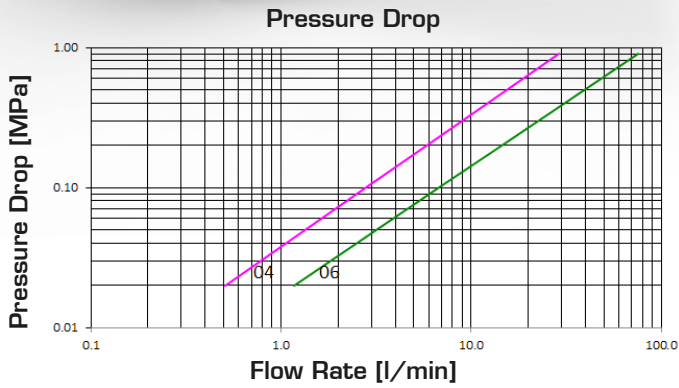


# SCREW TYPE HYDRAULIC CYLINDERS (BALL)



## TECHNICAL DATA

SIZE			MPa		FLOW RATE		OIL SPILLAGE Connection/ Disconnection		MINIMUM BURST PRESSURE						CONNECTION/ DISCONNECTION UNDER PRESSURE
DN	inch	Dash	MPa	PSI	l/min	US GPM	cc.	cubic inch	Male		Female		M & F		RESIDUAL PRESSURE
									MPa	PSI	MPa	PSI	MPa	PSI	
6.3	¼	04	70	10150	6	1.6	0.3	0.018	180	26100	170	24650	320	46400	RESIDUAL PRESSURE
10	⅜	06	70	10150	15	4	0.5	0.031	170	24650	180	26100	280	40600	RESIDUAL PRESSURE

The rated flow represents the normal operating condition. The maximum recommended flow rate is equal to 1.5 times the rated flow

### PRODUCT DESCRIPTION

- Screw-type couplings specially designed for very high pressure applications on cylinders and hydraulic rams
- Connection and disconnection is made by screwing the sleeve and can be made with residual pressure in the line
- Connection secured on the thread between the sleeve and the male coupling
- Shut-off by ball valve provides effective hydraulic sealing
- Interchangeable with other products and widely used in the USA and Europe
- ISO 14540 compliant

### MATERIAL

Female and male coupling in steel. Carbonitrided valve, springs in C98 steel, seals in NBR (other materials available on request) and back-up ring in PTFE

### WORKING TEMPERATURE

-22°F up to +230°F (-30°C up to +110°C)  
Specific seals available in case of higher temperatures

### SAFETY FACTOR

4:1 for dynamic pressures

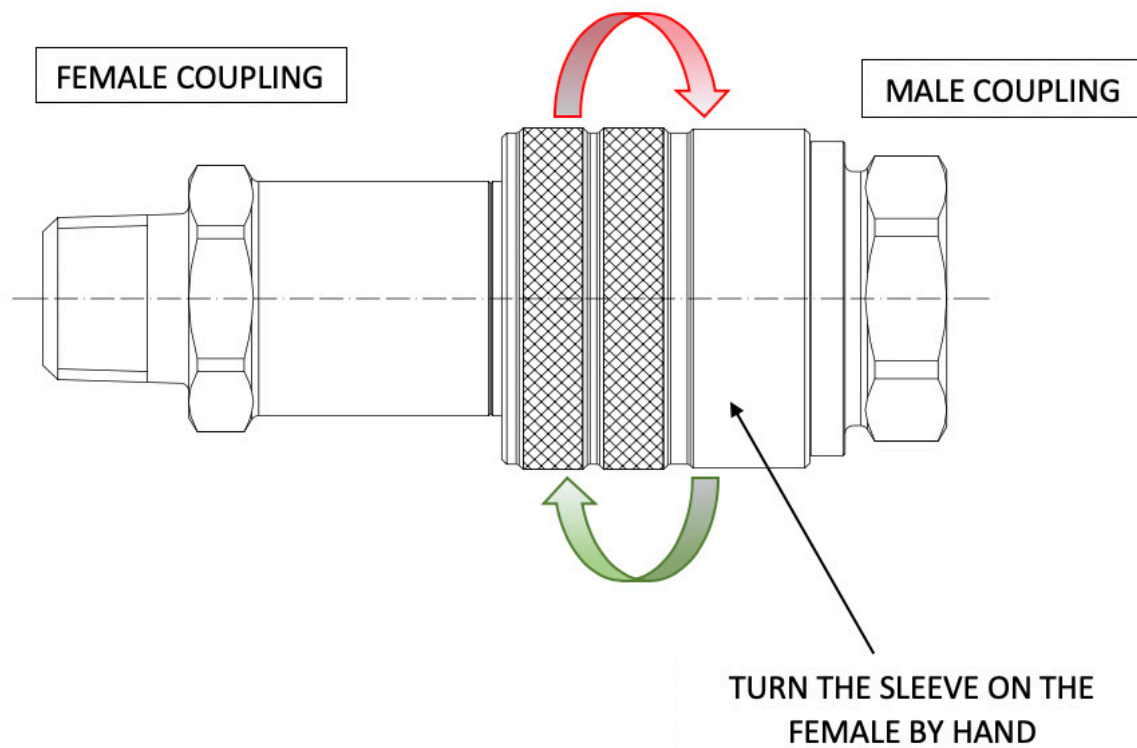
### IMPULSE PRESSURES

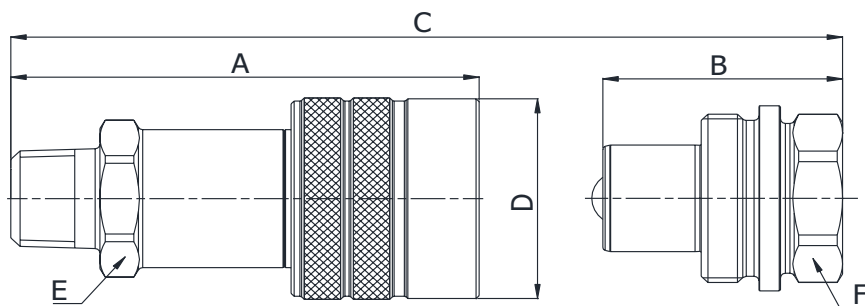
10,000 cycles at 100% of the rated one (freq. 1Hz)

### TEST SPECIFICATIONS

ISO 7241-2

## ASSEMBLY INSTRUCTIONS

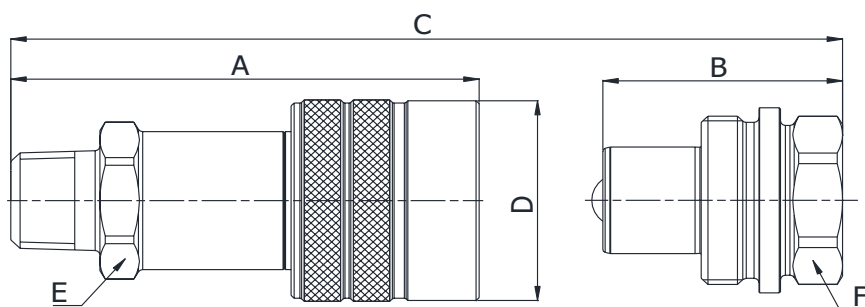




## Q05611280C

NPT TERMINATION ENDS  
TO ANSI B1.20.3

SIZE			PART NUMBER		THREAD	DIMENSIONS mm					
DN	Inch	Dash	Female coupling	Male coupling		A	B	C	D	E	F
6.3	1/4"	-04	Q05611280C-04-04		1/4" NPTF	62.4	-	A+B-19	ø30	21	-
10	3/8"	-06	Q05611280C-06-04	-	1/4" NPTF	75.6	-	A+B-25	ø35,6	25	-
10	3/8"	-06	Q05611280C-06-06	-	3/8" NPTF	75.6	-	A+B-25	ø35,6	25	-



## Q05510341C

NPT TERMINATION ENDS  
TO ANSI B1.20.3

SIZE			PART NUMBER		THREAD	DIMENSIONS mm					
DN	Inch	Dash	Female coupling	Male coupling		A	B	C	D	E	F
6.3	1/4"	-04	-	Q05510341C-04-04	1/4" NPTF	-	32	A+B-19	-	-	22
10	3/8"	-06	-	Q05510341C-06-04	1/4" NPTF	-	39	A+B-25	-	-	27
10	3/8"	-06	-	Q05510341C-06-06	3/8" NPTF	-	39	A+B-25	-	-	27